

1

2

3

4

5

6

7

8

A

B

C

D

E

F

A

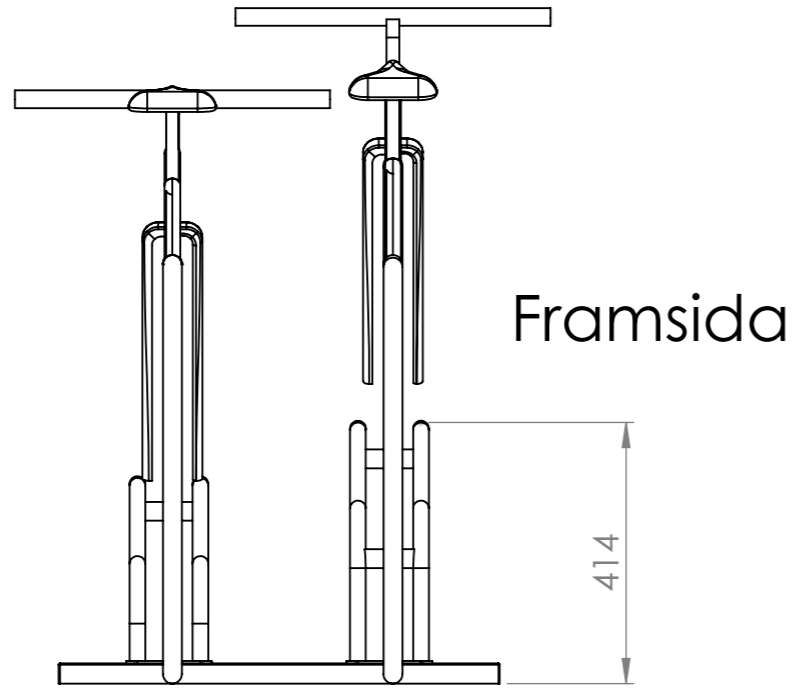
B

C

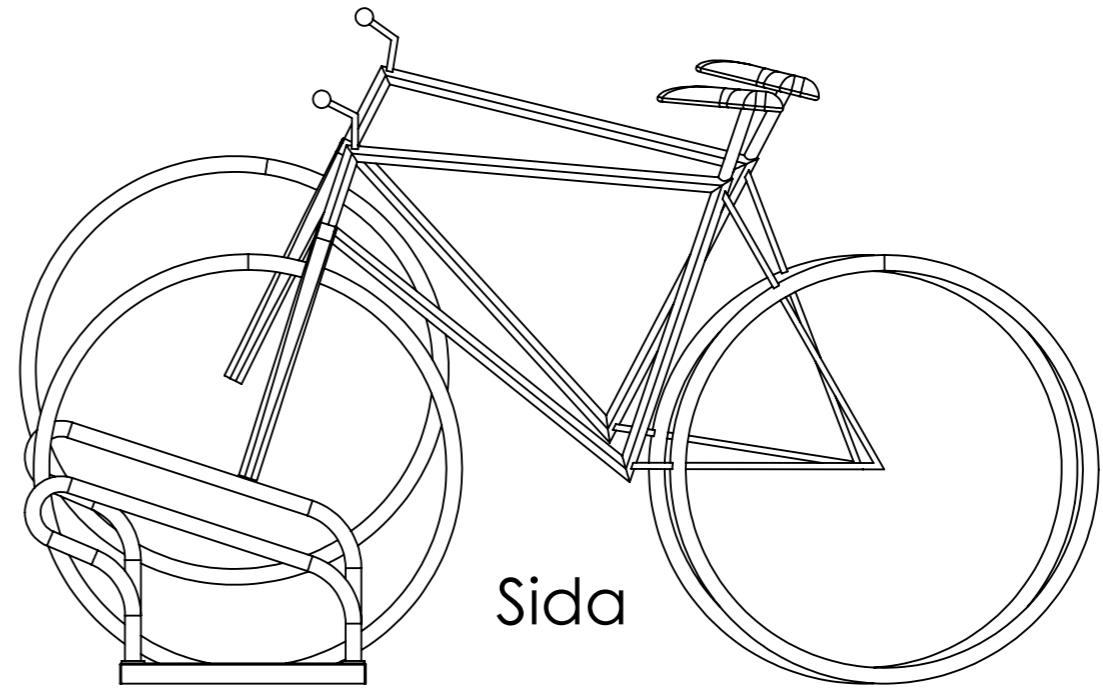
D

E

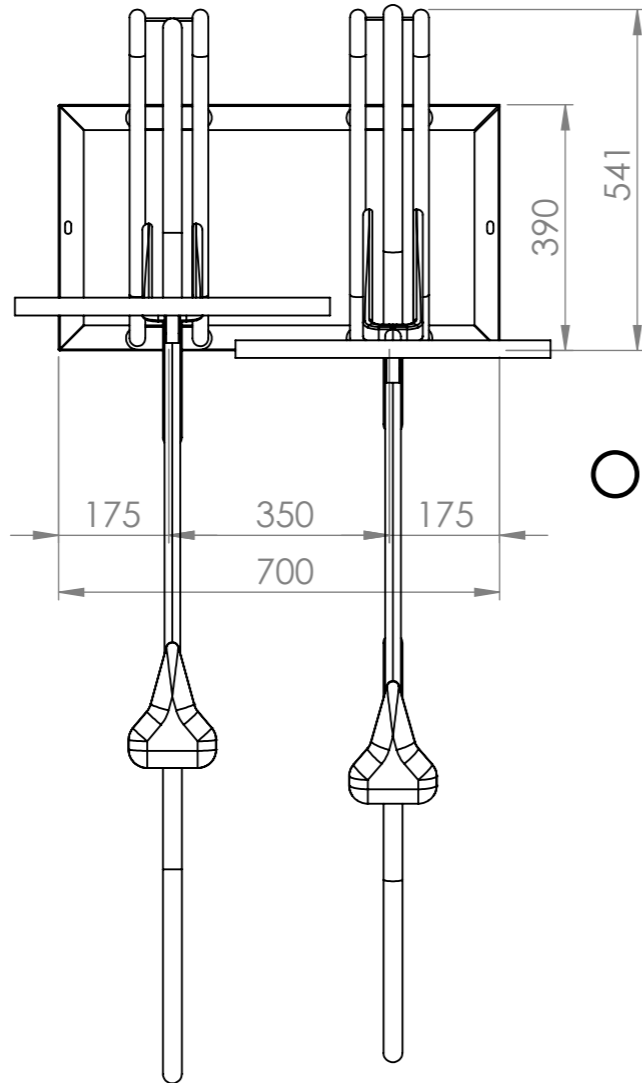
F



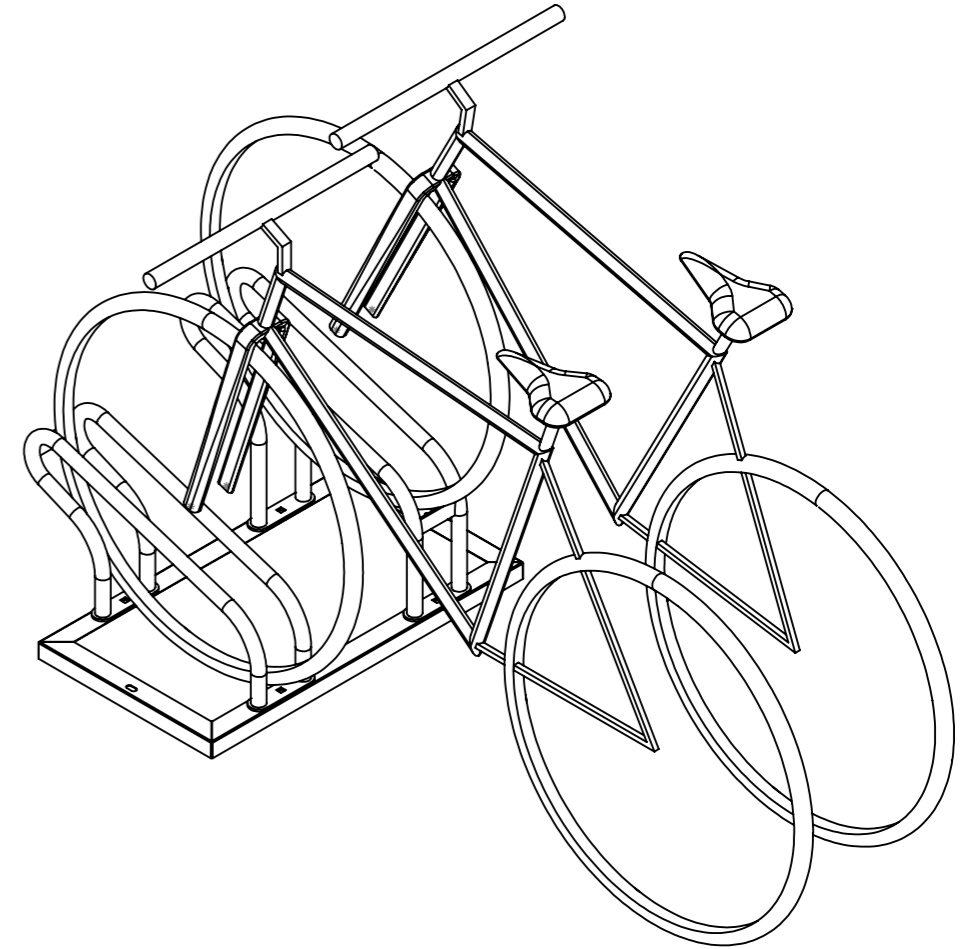
Framsida




Sida



Ovansida



This document must not be copied without our written permission, and the contents thereof must not be imparted to a third party nor be used for any unauthorized purpose. Contravention will be prosecuted.

Konstruerad Av Formenta	Ritad Av	Skapad Datum 20160111	Godkänd Av Formenta	Generell Tolerans SS ISO 2768-m	Skala 1:12	
Status	Titel / Benämning Wave 2					
Agare FORMENTA			Artikel Nr	Rev 0	Blad 1 (1)	

1

2

3

4

5

6

7

8